

Thermostatic Built-In Single Sequential Shower Valve Trim,
with 2 Way Diverter, for Modulo Valve

98730D / 98731D / 98733D

Product Description: Thermostatic built-in single sequential shower valve with 2 way diverter - Trim only

98730D-CP Aleo (1)
98731D-CP Cuff (2)
98733D-CP Strayt (3)

Required Item: 98699D-CP Modulo universal concealed box

Product Dimensions: 98730D-CP - W140 x 200 mm
98731D-CP - Diameter 200 mm
98733D-CP - W140 x H200 mm

Colour/Finish: Polished Chrome

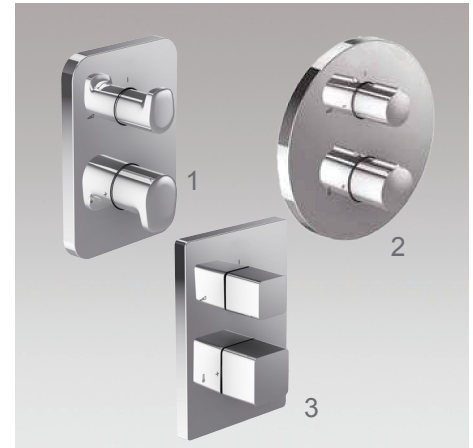
Material: Brass Body

Pressure: Minimum - 0.5 bar
Maximum static - 8 bar
Maintained - 4 bar

Product Weight (kg): 98730D-CP - 2.95
98731D-CP - 2.9
98733D-CP - 3.25

Guarantee (Years): 5

Dimensions (mm): On following page



Kohler UK

Sales and Technical:

+44 (0) 844 571 0048 (Calls cost 7p per minute plus your phone company's access charge)

info@kohler.co.uk

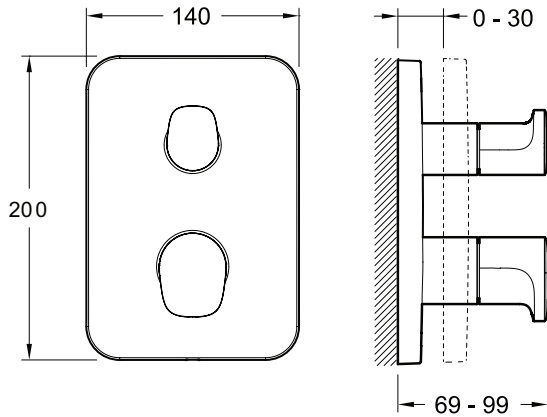
www.KOHLER.co.uk

THE BOLD LOOK
OF **KOHLER**®

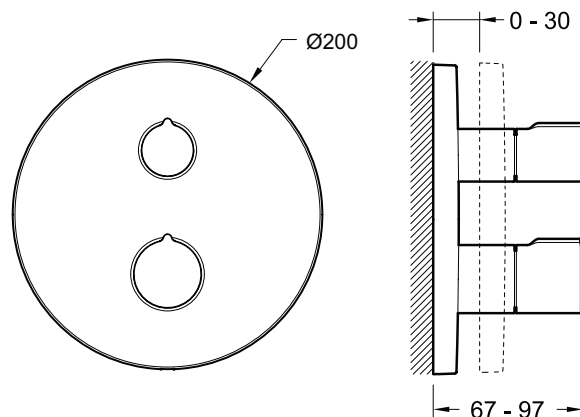
Thermostatic Built-In Single Sequential Shower Valve Trim,
with 2 Way Diverter, for Modulo Valve

98730D / 98731D / 98733D

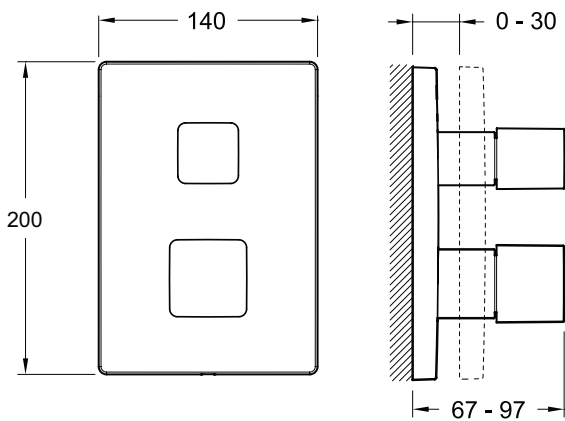
Dimensions (mm):



98730D-CP Aleo



98731D-CP Cuff



98733D-CP Strayt